



## PRODUCT INFORMATION

February 2015



# AA40CF2P

## Alemlube Automotive 2 Post Clear Floor 4t Hoist

The new AA40CF2P clear-floor 2 post 4t hoist allows for quick and easy under vehicle service operations. With fast lifting and lowering times this popular 2 post clear floor hoist design is ideal for both large or small automotive workshops. Large diameter lifting pads comfortably accommodate both large and small vehicles together with a maximum lifting height of 1,900mm and minimum lowered height of 100mm.

The AA40CF2P clear-floor 2 post 4t hoist uses standard economical 415 volt (3 phase) power with an optional 240 volt (single phase) power pack available. An optional 1 metre height extension kit is also available. Electric safety locks ensure operator protection and an aluminium motor provides improved cooling capacity during high work demands and low voltage controls provide additional operator safety. Quality components throughout, compliant with Australian standards and manufactured to European CE Standards.



### PRODUCT SPECIFICATIONS, FEATURES AND BENEFITS

Standard height clearance of 3,900mm

High lifting capacity of 4t

Fast lifting time of 60 seconds

Fast lowering time between 18 to 40 seconds

Asymmetric lift arm design incorporating 2 and 3 stage arms with toe protection and automatic engaging safety arm locks

Large diameter lifting pads comfortably accommodate large & small vehicles

Maximum lifting height of 1,900mm

Minimum lowered height of 100mm

Electric safety lock operation

Distance between columns: 2760mm

Drive through width: 2640mm

Standard economical 3 phase power with optional 240 volt power pack

Aluminium motor for improved cooling capacity during high work demands

Low voltage controls offer greater operator safety

Quality components throughout

Australian WORKSAFE compliance: Design Registration Number: WAH 20951

Manufactured to stringent European CE Standards

**Also Available** AA40CF2P-240V

**Also Available** AA40CF2PEH - with 1 metre height extension kit

Distributed by:

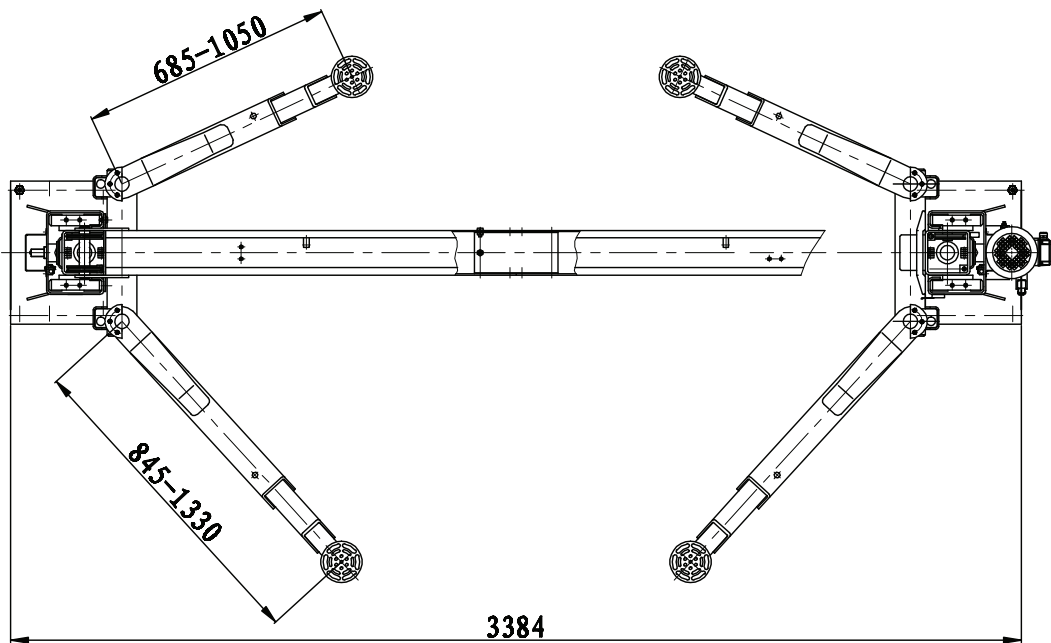
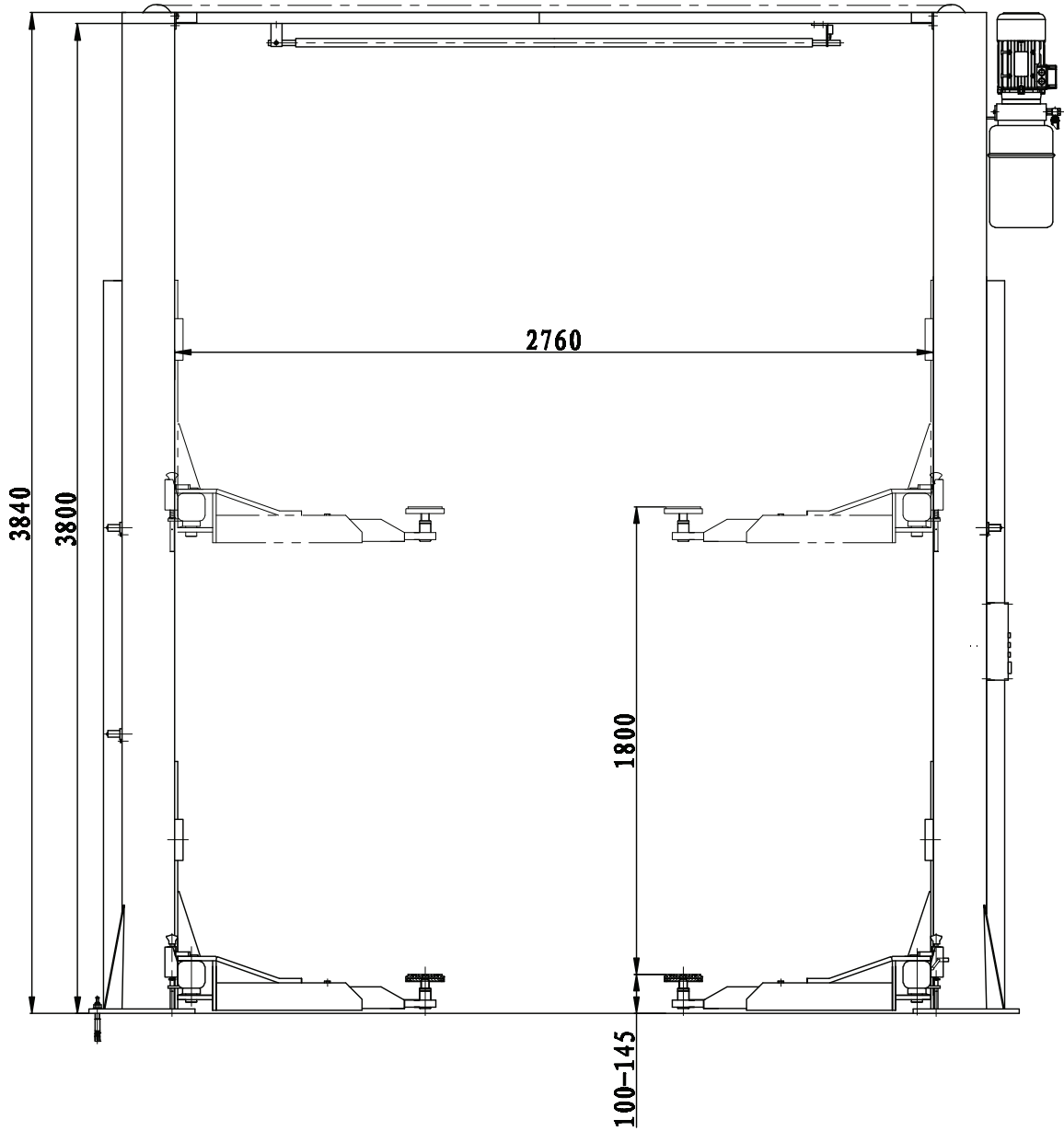


1300 30 40 60 - [www.efi.com.au](http://www.efi.com.au)

### ORDERING INFORMATION

**AA40CF2P** 2 Post Clear Floor 4t Hoist





Distributed by:

